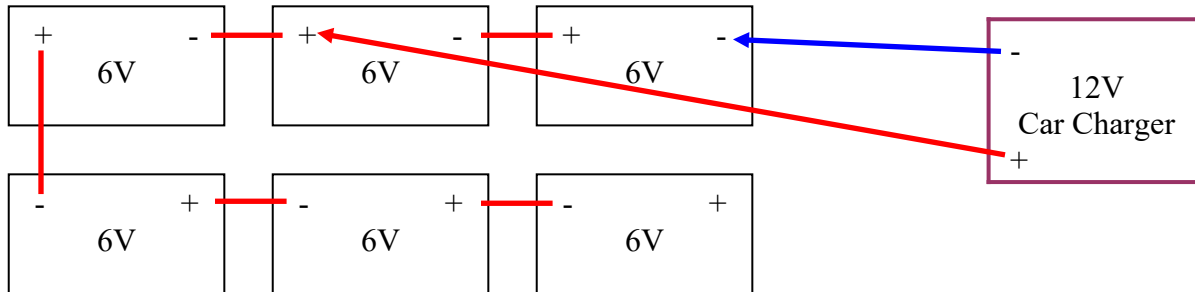


## How to connect a 12V Car Charger to a Golf Cart Battery Pack.

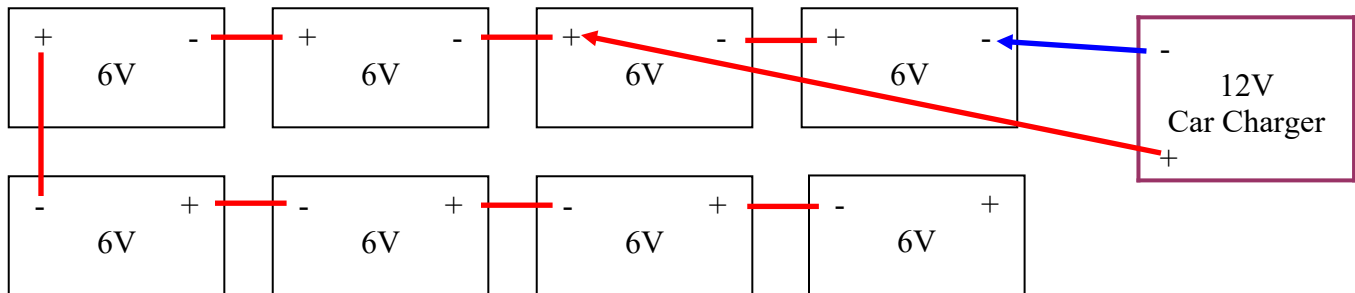
Use this method to safely trickle charge your Golf Cart Battery pack.

Electric Golf Cart battery pack voltages are typically 36 Volt or 48 Volt. Some of the street legal LSV's like the GEM are 72 Volt. All use a combination of 6 volt or 8 Volt or 12 Volt Batteries connected in series as in the drawings below.

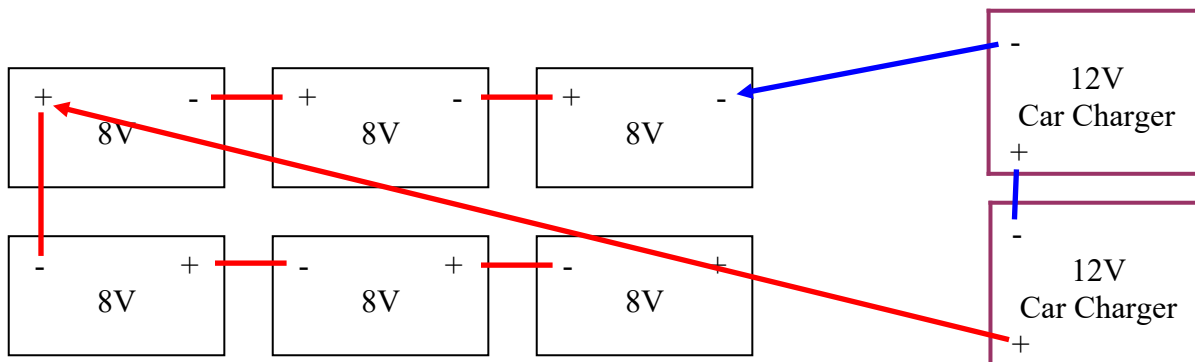
***Make sure when charging you pay close attention to polarity. Connecting your automotive charger incorrectly will damage the battery and/or cause a battery to explode.***



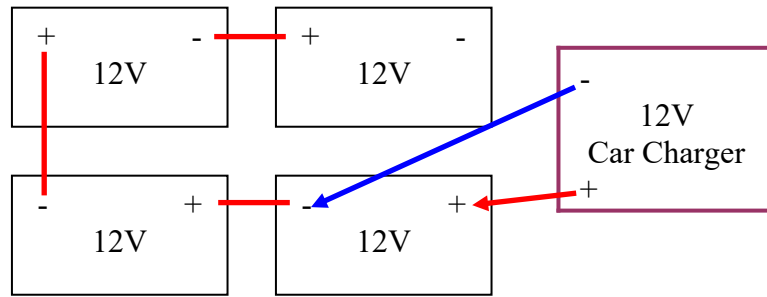
6 each 6 Volt Batteries in series equals 36 Volts.  
Charge two at a time.



8 each 6 Volt Batteries in series equals 48 Volts.  
Charge two at a time.



6 each 8 Volt Batteries in series equals 48 Volts.  
Never charge a single 8 volt battery with a 12 volt charger.  
Charge 3 at a time with two automotive 12 volt chargers.



4 each 12 Volt Batteries in series equals 48 Volts.  
Charge one at a time.

### Safety Precautions

- Always use face and eye protection.
- DO NOT connect incorrectly. Incorrect polarity connection could cause the battery or batteries to explode.
- If during charge the batteries case becomes warm or hot immediately stop charging. This is an indication of a shorted battery and cannot be charged.
- MUST BE CHARGED IN A WELL VENTILATED AREA. Gases off Hydrogen when charging. Hydrogen gas is very flammable. ***Remember the Hindenburg!***

### Battery Maintenance

- Electrolyte level in a lead acid battery should be checked weekly.
- Never ever let the electrolyte level in a lead acid battery go below the battery plates.
- Always use distilled water to fill the cells. Never ever use tap water.
- Check cable connections weekly and tighten if necessary.
- Never discharge a pack of Lead acid batteries below 50%.
- Always keep Lead acid batteries charged. Charge after every use.