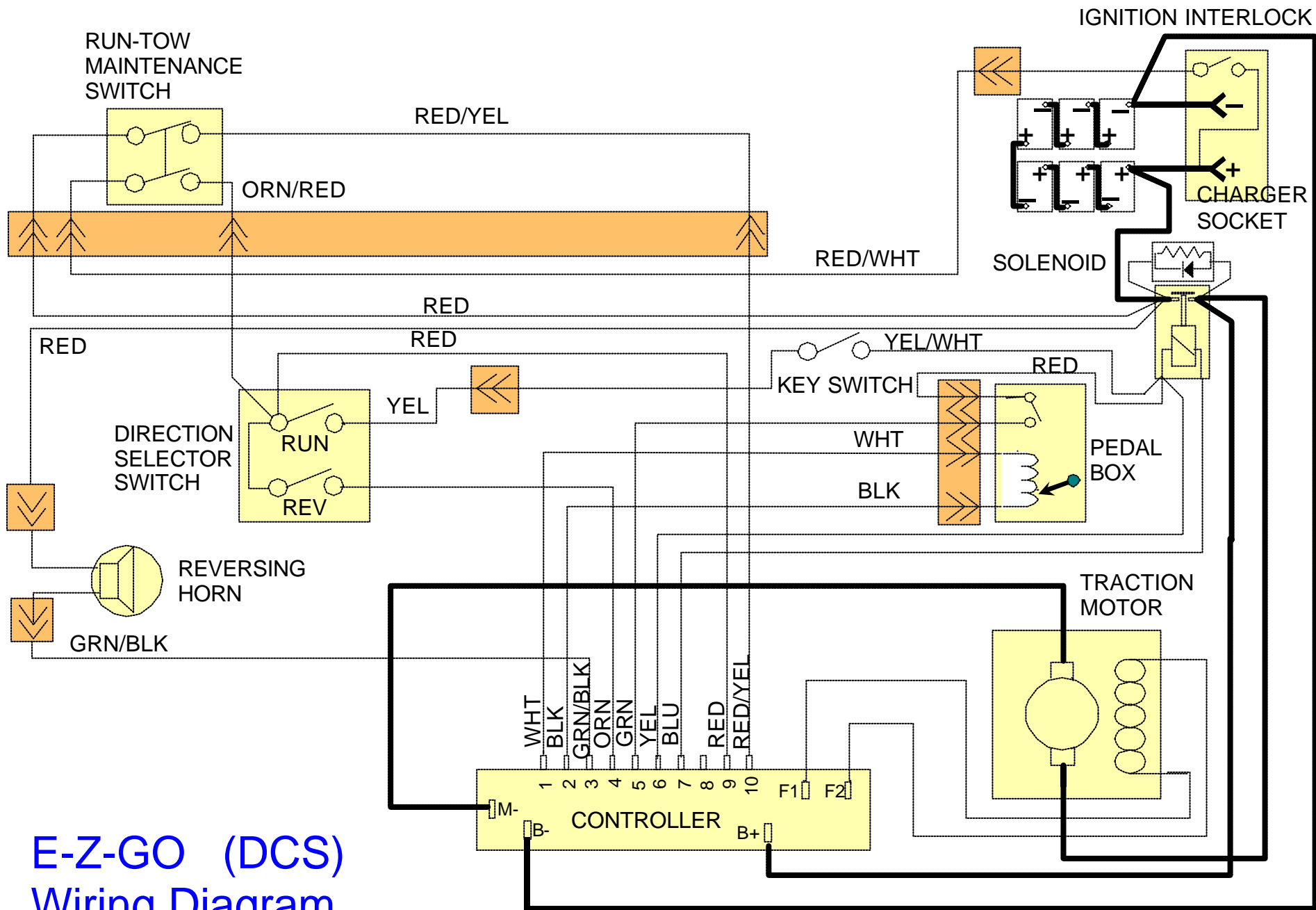


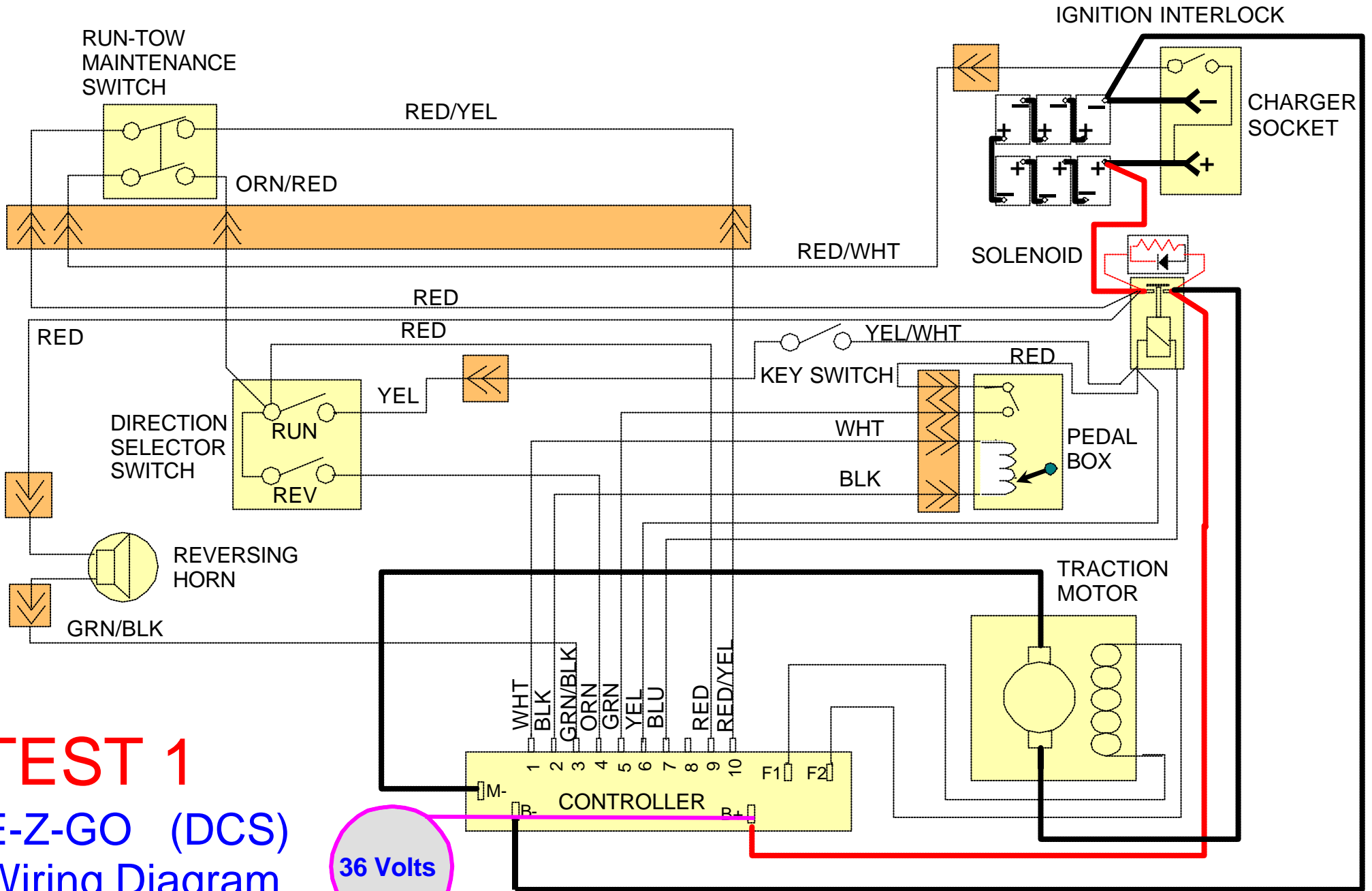


a **TEXTRON** Company

TESTING
PROCEDURES FOR
DCS CONTROLLED
MACHINES



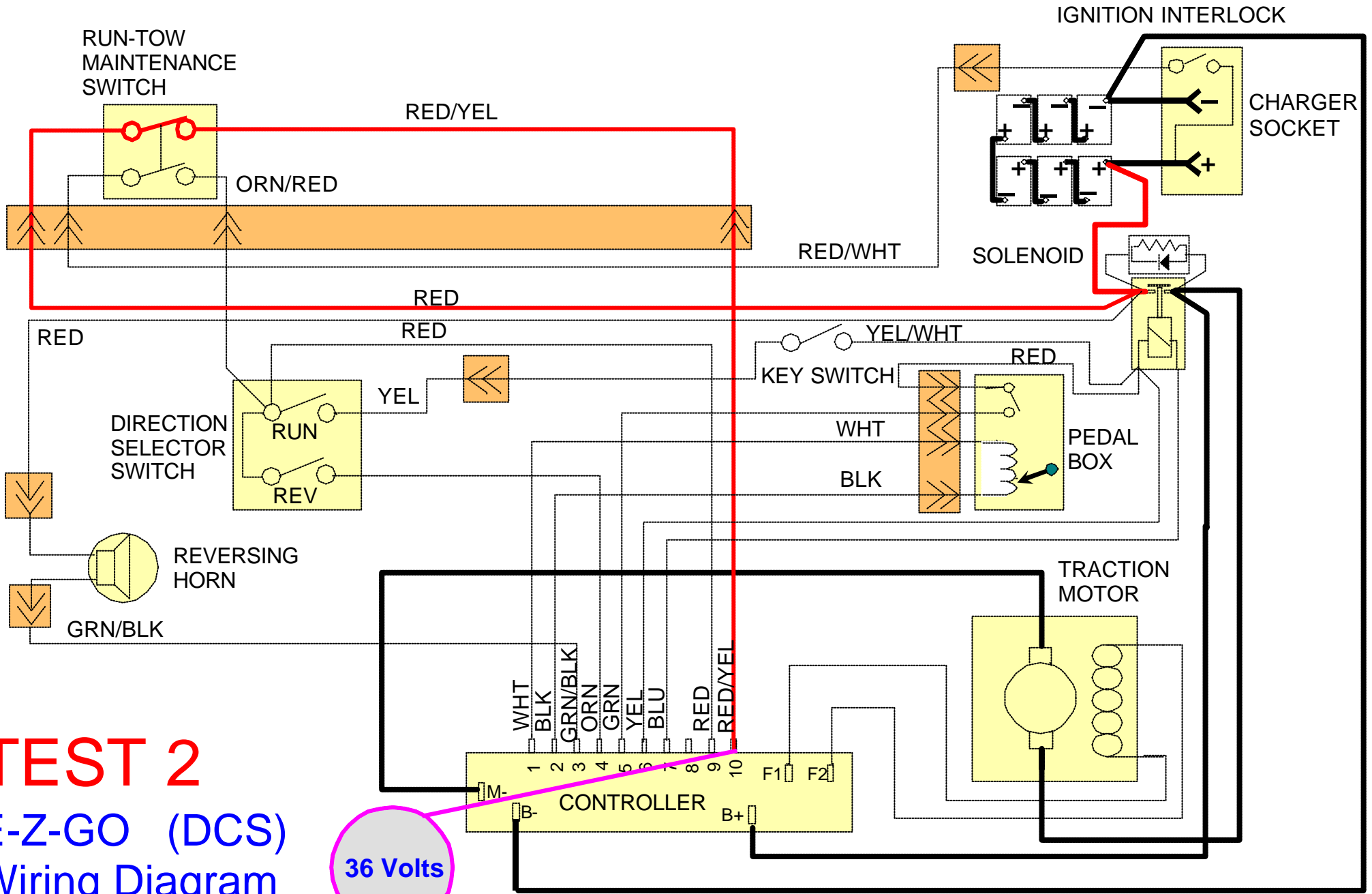
E-Z-GO (DCS)
Wiring Diagram



TEST 1

E-Z-GO (DCS) Wiring Diagram

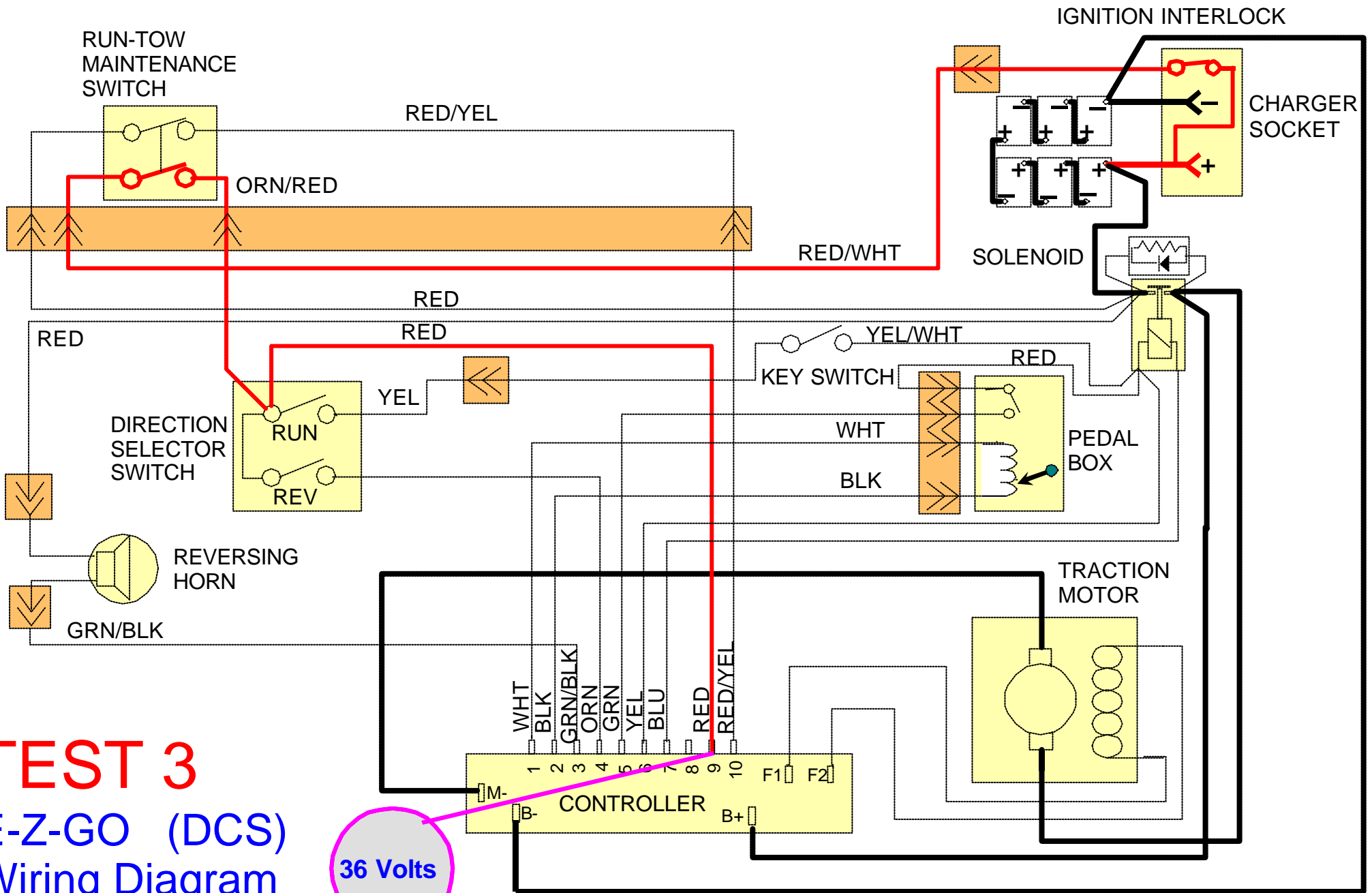
36 Volts



TEST 2

E-Z-GO (DCS) Wiring Diagram

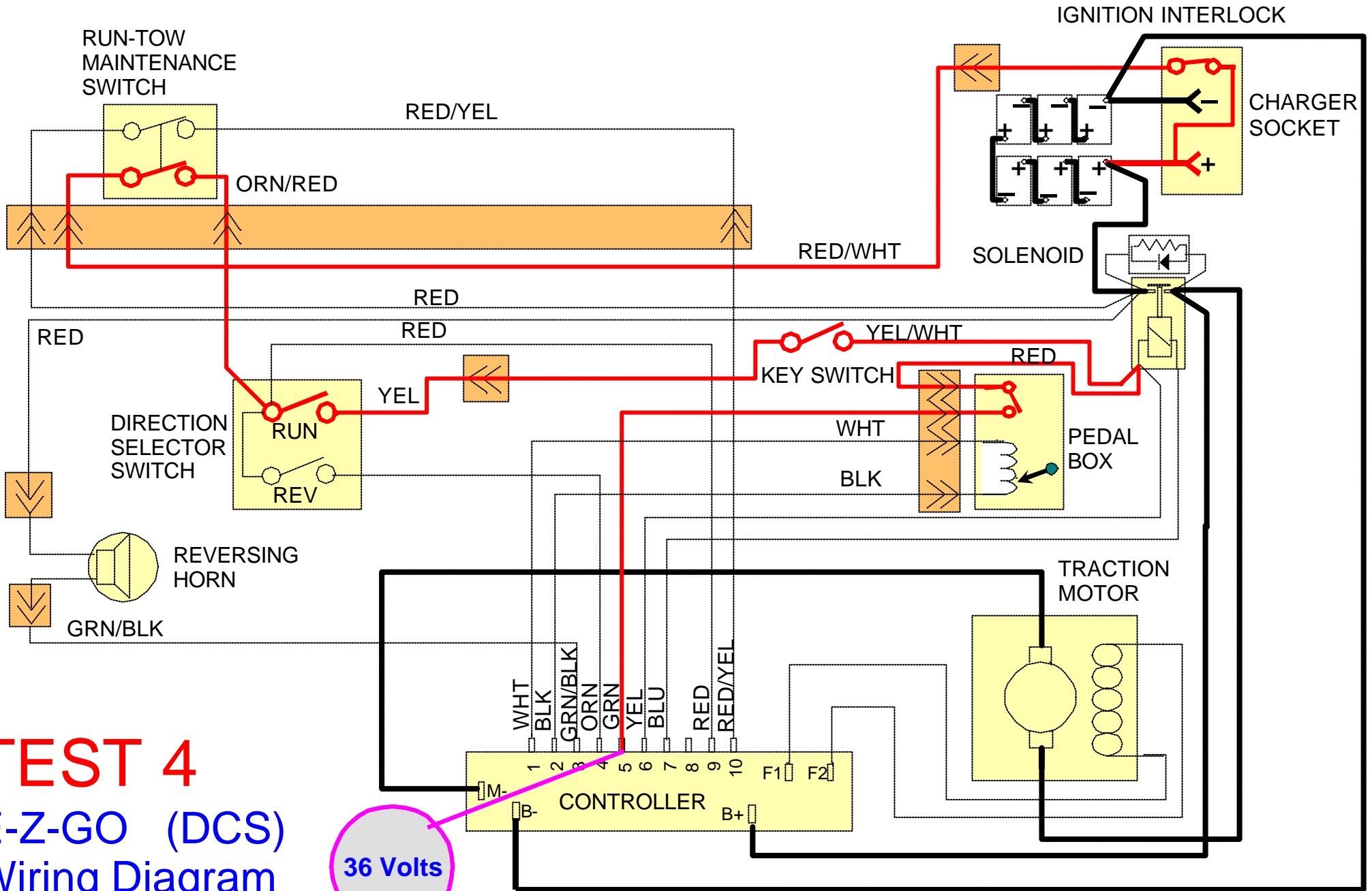
36 Volts



TEST 3

E-Z-GO (DCS)

Wiring Diagram

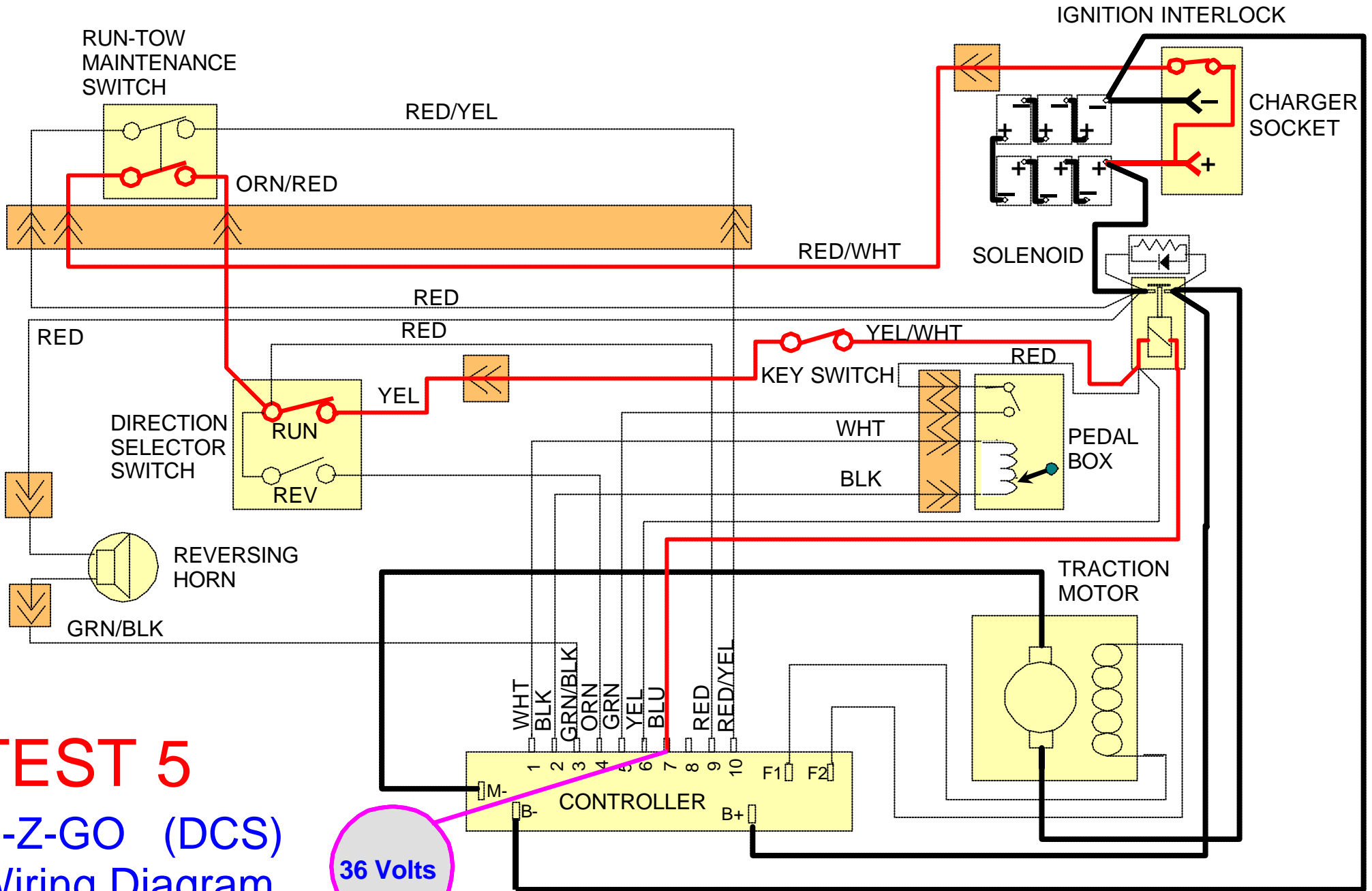


TEST 4

E-Z-GO (DCS) Wiring Diagram

36 Volts

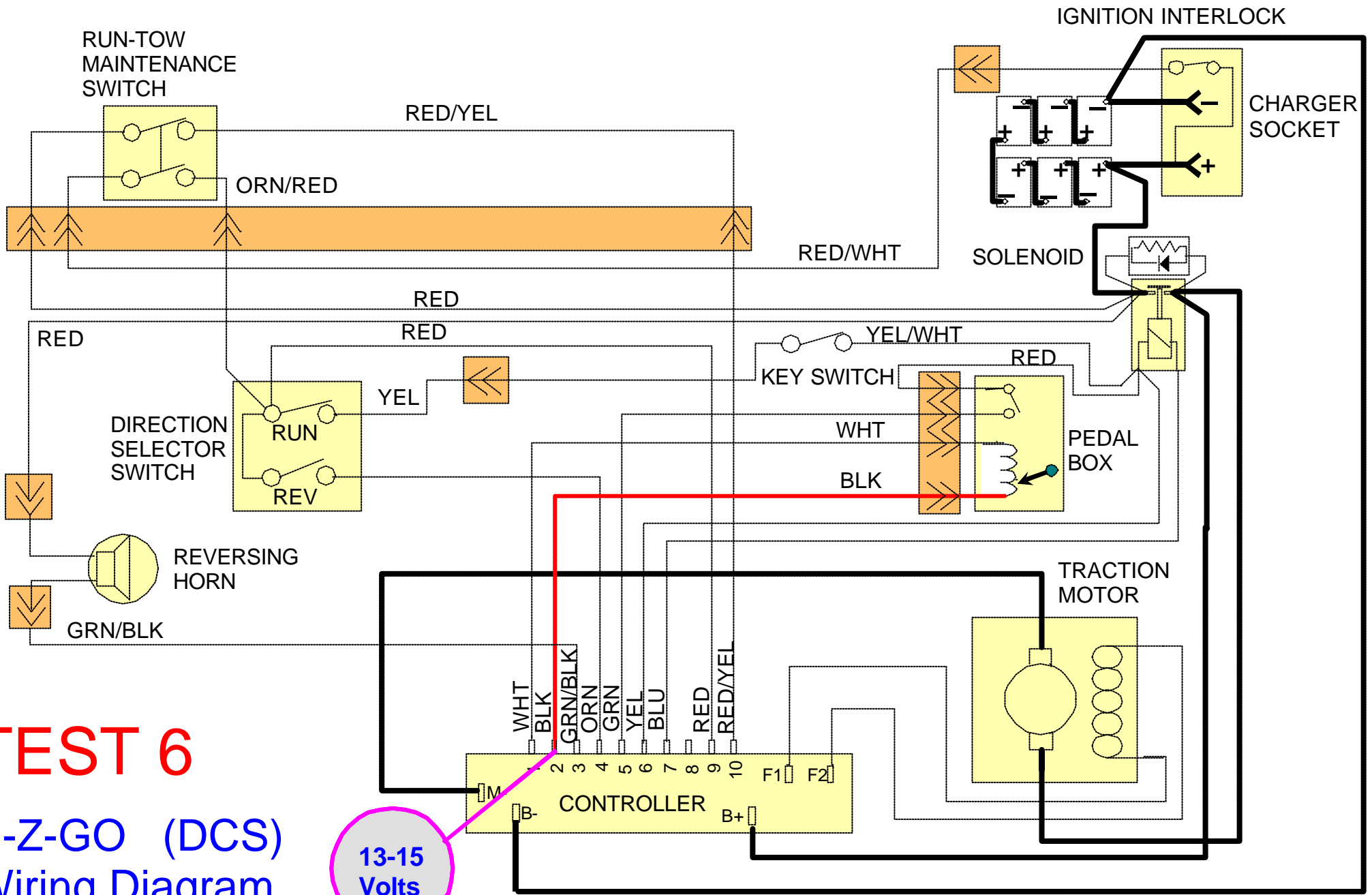
Press Acc Pedal. If Solenoid clicks go to Test 6. If Not Go to Test 5



TEST 5

E-Z-GO (DCS) Wiring Diagram

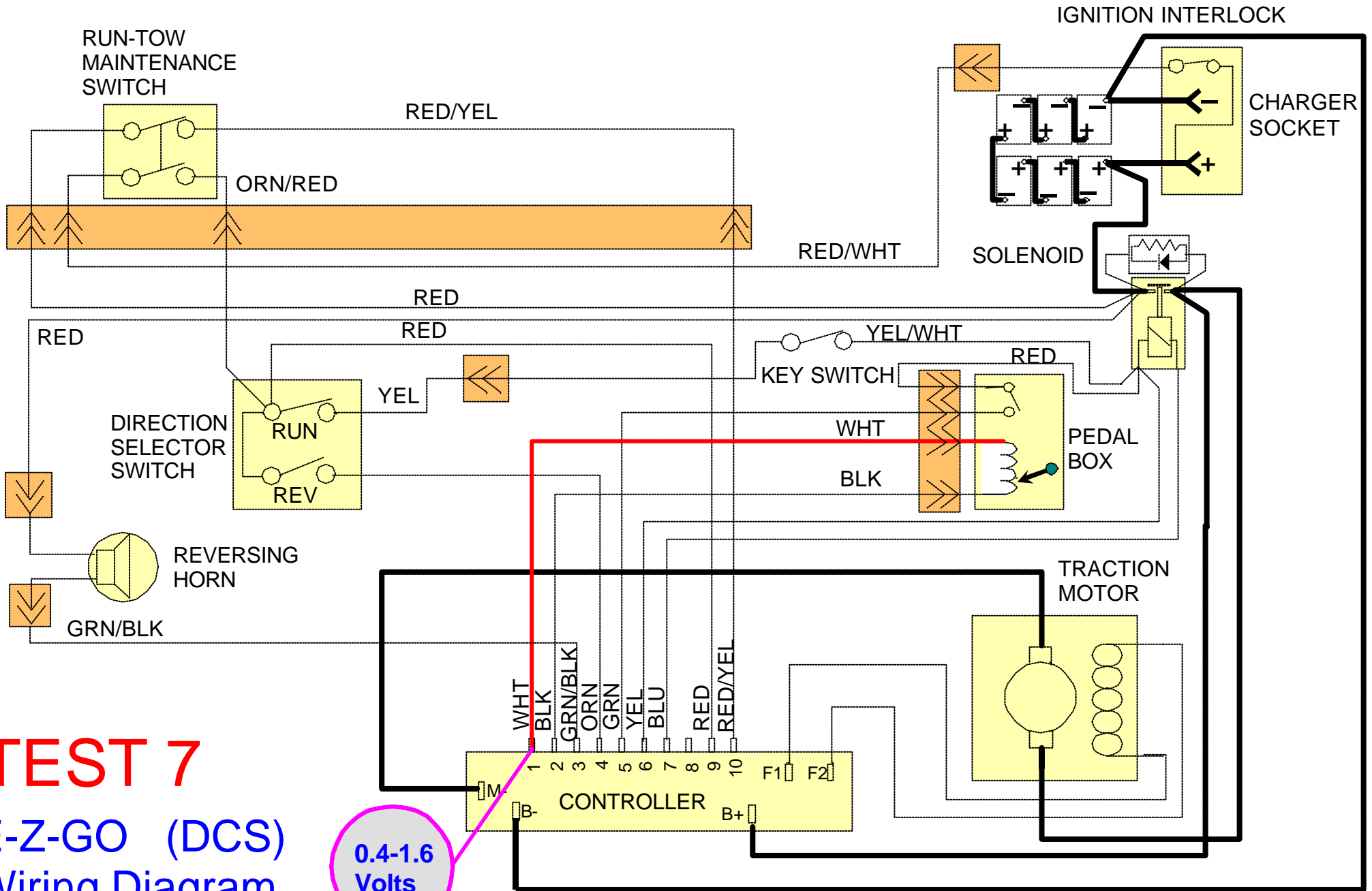
36 Volts



TEST 6

E-Z-GO (DCS) Wiring Diagram

13-15
Volts



TEST 7

E-Z-GO (DCS) Wiring Diagram

0.4-1.6 Volts